

IES-2008-67

8 10/100TX M12 / IP-67 Managed Industrial Switch

- Pro-Ring covers X-ring, Dual Homing, and Couple Ring Topology
- Provides M12 connector with IP-66/67 rated protection
- Wide Operating Temperature from -40°C to 75°C
- Support with L-Key(M12) for easy maintenance



OVERVIEW

Lantech IES-2008-67 is an 8 10/100 Base-TX with M12-connector Managed Industrial Switch for IP66/67 rated protection. The full SNMP management features are including QoS for 4 queues, 801.q VLAN, IGMP snooping and query mode as well as SNTP and SMTP. The PTP (Precision Time Protocol) client will be future supported.

Equipped with DC 9V-56V power input design, Lantech IES-2008-67 can support redundant power supply input to ensure power runtime. It also supports relay contact to connect with alarm system, which can immediately notify of power failure and/or port down events. In case of events, Lantech IES-2008-67 will immediately send an email to pre-defined addresses and send trap to stations.

Lantech IES-2008-67 supports our Pro-Ring system including X-Ring, which is able to find an auto-recovery-path within 10ms up to 250 Lantech Industrial Switches and Dual-Homing feature ensures two X-Ring groups with redundant back up when

connected to a backbone switch. Pro-Ring also provides Couple Ring to provide network recovery protection between two X-Ring groups. Furthermore, it can set back-up masters in X-Ring to ensure the most secure network.

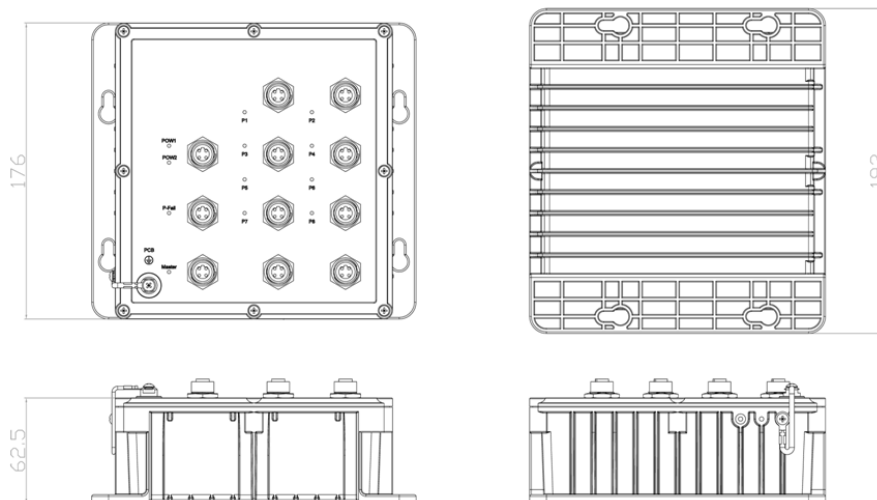
IES-2008-67 is designed to meet with critical network environment with IP67 enclosure and M12 connectors for protection against water and dust ingress. It has passed harsh environmental testing to comply with Industrial EMI and Safety standards. Besides 1.2KVA Hi-Pot abnormal test, it also passed stability testing such as Free fall, Shock, and Vibration. For a greater flexibility in application the IES-2008-67 supports an extended operating temperature range from -40°C to 75°C.

Lantech L-Key (M12) can be used to quickly configure the IES-2008-67 on site without the need for an IP connection or notebook PC. Lantech IES-2008-67 is an ideal choice for critical industrial environments such as smelters, crusher plants, open cut mines etc.

FEATURES & BENEFITS

- 8-port 10/100TX Managed Industrial Switch with M12 connectors and IP66/67 rated protection
- Back-plane (Switching Fabric): 5.6Gbps
- 1Mbits Packet Buffer
- IGMP with Snooping and Query mode for Multi Media Application
- 8K MAC address table
- Redundant Power Design with wide DC9V-56V input
- IEEE 802.1d Spanning Tree & IEEE 802.1w RSTP
- Port Based VLAN, 802.1Q Tag VLAN, GVRP
- Pro-Ring
 - X-ring, Dual Homing, and Couple Ring Topology.
 - Provide redundant backup feature and the recovery time below 10ms.
- Port Trunk with LACP
- Supports IEEE 802.1ab LLDP
- IEEE 802.1p Class of Service, per port 4 priority queues
- Port base, Tag Base and Type of Service Priority
- Supports Ingress Packet Filter and Egress Rate Limit
- Supports Broadcast/Multicast Packet Filter Control
- Port Mirror: Monitor traffic in switched networks
- System Log Server/Client
- Security
 - Port Security: MAC address entries/Filter
 - IP Security: IP address security management to prevent unauthorized intruder
 - Login Security: IEEE802.1X/RADIUS
- SNMP Trap
 - Device cold start, Power status, Authentication failure, X-ring topology changed, Port Link up/Link down, port events
- Relay Alarm Output System Events
- IGMP with Query mode for Multi Media Application
- TFTP Firmware Update and System Configure Restore/Backup

DIMENSIONS (unit=mm)



SPECIFICATIONS

Hardware Specification		EMI & EMS	FCC Class A, CE EN61000-4-2 (ESD), CE EN61000-4-3 (RS), CE EN-61000-4-4 (EFT), CE EN61000-4-5 (Surge), CE EN61000-4-6 (CS), CE EN61000-4-8, CE EN61000-6-2, CE EN61000-6-4
IEEE Standard	IEEE802.3 10Base-T Ethernet IEEE802.3u 100Base-TX IEEE802.3x Flow Control and Back Pressure IEEE802.3ad Port trunk with LACP IEEE802.3af Power over Ethernet IEEE802.1d Spanning Tree IEEE802.1w Rapid Spanning Tree IEEE802.1p Class of Service IEEE802.1Q VLAN Tag IEEE802.1x User Authentication (Radius) IEEE802.1ab LLDP IEEE1588 PTP client*	Stability Testing	IEC60068-2-32 (Free fall), IEC60068-2-27 (Shock), IEC60068-2-6 (Vibration)
Switch Architecture	Back-plane (Switching Fabric): 5.6Gbps	MTBF	TBD
Transfer Rate	14,880pps for Ethernet port 148,800pps for Fast Ethernet port	Warranty	5 years
Packet Buffer	1Mbits	Software Specification	
MAC Address	8K MAC address table	Management	SNMP v1 v2c, v3/ Web/Telnet/CLI
Connector	10/100TX: 8 x M12 4-pole D-coded with auto MDI/MDI-X function RS-232 connector: 1 x M12 8-pole A-coded	SNMP MIB	RFC 1215 Traps MIB, RFC 1213 MIBII, RFC 1157 SNMP MIB, RFC 1493 Bridge MIB, RFC 2674 VLAN MIB, RFC 1643 EtherLike, RFC 1757 Rmon, RSTP MIB, Private MIB, PoE MIB,LLDP MIB
Network Cable	10Base-T: 2-pair UTP/STP Cat. 3, 4, 5 cable EIA/TIA-568 100-ohm (100m) 100Base-TX: 2-pair UTP/STP Cat. 5/ 5E cable EIA/TIA-568 100-ohm (100m)	VLAN	Port Based VLAN IEEE 802.1Q Tag VLAN (256 entries)/ VLAN ID (Up to 4K, VLAN ID can be assigned from 1 to 4096.) GVRP (256 Groups)
Protocol	CSMA/CD	Port Trunk with LACP	LACP Port Trunk: 4 Trunk groups/Maximum 4 trunk members
LED	Per unit: Power 1 (Green), Power 2 (Green), P-Fail (Red), R-Master (Green) Ethernet: Link/Activity (Green, Fiber: Link/Activity (Green)	LLDP	Supports IEEE802.1ab LLDP, the advertising of the switch's Identity and capabilities
Power Supply	DC 9-56V, Redundant power with M12 5-pole A-coded connector	Spanning Tree	Supports IEEE802.1d Spanning Tree and IEEE802.1w Rapid Spanning Tree
Reserve polarity protection	Present	Pro-ring	Supports X-ring, Dual Homing, and Couple Ring. Provides redundant backup feature and the recovery time below 10ms
Overload current protection	Present	Quality of Service	The quality of service determined by port, Tag and IPv4 Type of service, IPv4/IPv6 Different Service
Power Consumption	14W	Class of Service	Supports IEEE802.1p class of service, per port provides 4 priority queues
Operating Temperature	-40°C~75°C / -40°F~167°F	Port Security	Supports 100 entries of MAC address for static MAC and another 100 for MAC filter
Storage Temperature	-40°C~85°C / -40°F~185°F	Port Mirror	Supports 3 mirroring types: "RX, TX and Both packet"
Operating Humidity	5% ~ 95% (Non-condensing)	IGMP	Supports IGMP snooping v1,v2 256 multicast groups and IGMP query
Case Dimension	IP-67, 193mm (W) x 176mm (H) x 62.5mm (D)	IP Security	Supports 10 IP addresses that have permission to access the switch management and to prevent unauthorized intruder.
Weight	TBD	Login Security	Supports IEEE802.1X Authentication/RADIUS
Installation	Wall mount design	Flow Control	Supports Flow Control for Full-duplex and Back Pressure for Half-duplex
		System Log	Supports System log record and remote system log server
		SMTP	Supports SMTP Server and 6 e-mail accounts for receiving event alert

SNTP	Supports SNTP to synchronize system clock in Internet	DHCP	Provides DHCP Client/ DHCP Server/ IP Relay functions
Bandwidth Control	Support ingress packet filter and egress packet limit The egress rate control supports all of packet type and the limit rates are 100K~102400Kbps(10/100) Ingress filter packet type combination rules are Broadcast/Multicast/Unknown Unicast packet, Broadcast/Multicast packet, Broadcast packet only and all of packet. The packet filter rate can be set from 100K~102400Kbps(10/100)	DNS	Provides DNS client feature and support Primary and Secondary DNS server
		Firmware Update	Supports TFTP firmware update, TFTP backup and restore.
		Configuration upload and download	Supports binary format configuration file for system quick installation
Relay Alarm	Provides one relay output for port breakdown, power fail and alarm Alarm Relay current carry ability: 1A @ DC24V		*Future Release **Optional
SNMP Trap	Up to 3 Trap stations Cold start, Port link up, Port link down, Authentication Failure, Private Trap for power status, Port Alarm configuration, Fault alarm, X-Ring topology change		

ORDERING INFORMATION

- **IES-2008-67.....P/N: 8360-490**
8 10/100TX IP67 rated Managed Industrial Switch w/M12 connectors

OPTIONAL ACCESSORIES

DIN Rail Power

- **AD1048-24FS** 24VDC, 2A, Wide AC Input, Convection Cooled, DIN Rail or Wall Mounted, RoHS, Operating Temp. -20°C~50°C
- **AD1024-24F** 24VDC, 1A, Wide AC Input, Convection Cooled, DIN Rail or Wall Mounted, RoHS, Operating Temp. -20°C~50°C
- **AD1240-48S** 48VDC, 5A, Wide AC Input, Build-in fan Cooled, DIN Rail or Wall Mounted, RoHS, Operating Temp. -20°C~50°C
- **AD1120-48F** 48VDC, 2.5A, Wide AC Input, Build-in fan Cooled, DIN Rail or Wall Mounted, RoHS, Operating Temp. -20°C~50°C

Accessory

- **L-Key (M12 Type).....P/N: NA**
Configuration backup and restoration tool for managed switches w/ M12 connector

Lantech Communications Global Inc.
www.lantechcom.tw
info@lantechcom.tw

© 2009 Copyright Lantech Communications Global Inc. all rights reserved.
The revise authority rights of product specifications belong to Lantech Communications Global Inc.
Lantech may make changes to specification and product descriptions at anytime, without notice.